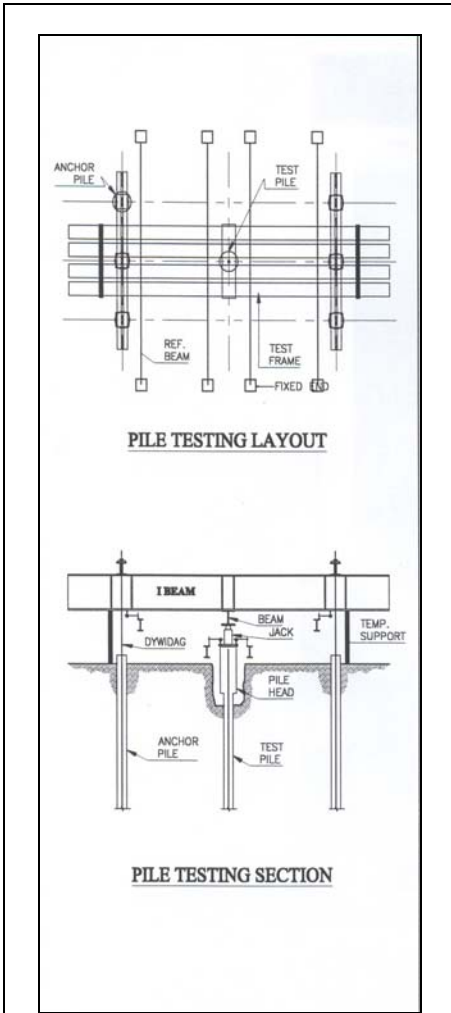
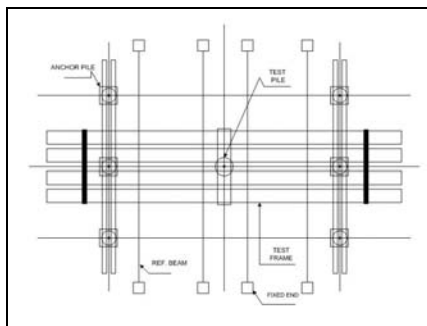


Pile Test



Pile Testing Layout and Section



Pile Testing Plan.

Static Pile Testing is to measure pile settlement under specified static loads. A proof load test on a working pile will give settlement at loads up to 200% of the safe working load. A preliminary test on a pile measures settlements up to the pile ultimate load.

Equipment:

Dial gauges measure the settlement induced by load reaction from a group of anchor (tension) piles. Hydraulic jacks are used to induce load to the pile. A set of structural steel beams, called test frames are used to transfer the load reaction from the anchor piles to the test pile.

Methods:

Testing can be carried out by measuring settlements during cycles of maintained load tests using (ASTM – D 1143).

Results:

Results are presented in report format with tabular and graphical representation of load, settlement and time relationships as necessary.

Site Requirements:

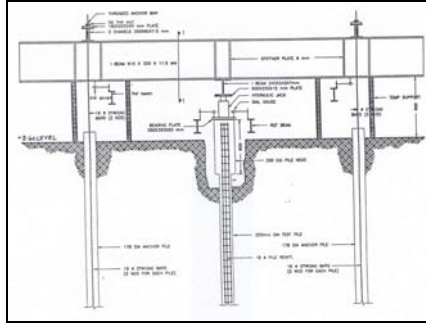
A clear space 6m X 6m around the pile to be tested.

General Categories of Pile Tests:

<u>Working Load</u>	<u>No. of Anchor Piles</u>
Up to 25 ton	4
26 ton – 70 ton	6

Typical projects undertaken:

1. Saudi Arabian Monetary Agency, Riyadh
2. MODA, Wadi Al – Dawasir
3. MODA, Tabuk
4. MODA, Riyadh
5. Ministry of Interior, Ar'Ar
6. Al – Tysser Aluminium Factory, Riyadh
7. Several private residences in Riyadh.



Pile Testing Arrangement



Pile Test Arrangement on Site



Pile Testing Sectional View on Site